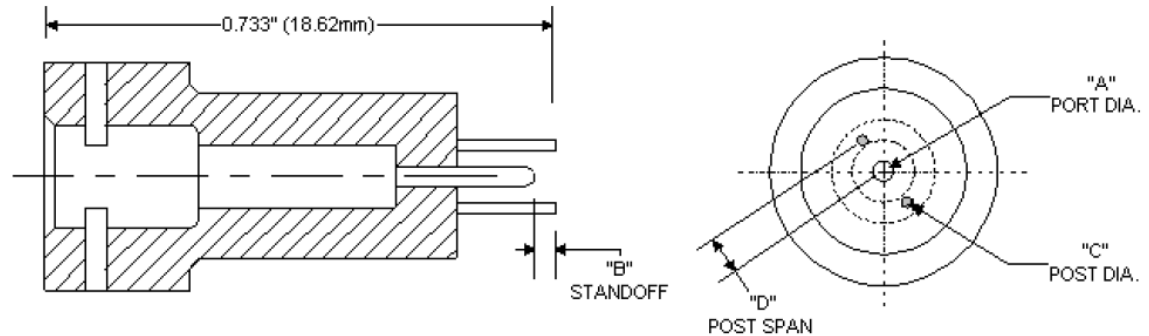


GDM NOZZLES

Designed for use on the Universal GDM with the AMV and Piston pumps, these are stainless steel constructions and meet or exceed the OEM quality. Special attention has been paid to the tolerances on the foot and the nozzle outlet port to maximize speed and minimize stringing or trailing. Used with an adaptor on the piston pump, the relationship between the piston and the cylinder becomes fixed. This means once the volumetric adjustments are made, changing a nozzle does not disturb the setting, allowing for quick nozzle cleaning and a much faster nozzle replacement. This is a direct retrofit and improvement over the original nozzles. Twist on and off without tools.

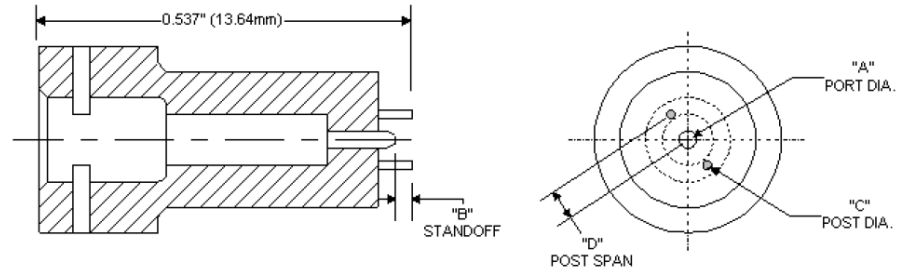
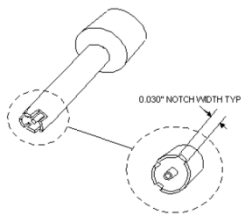
Dual and Single dot Available.
 Cross Referenced to UIC numbers to find a match quickly



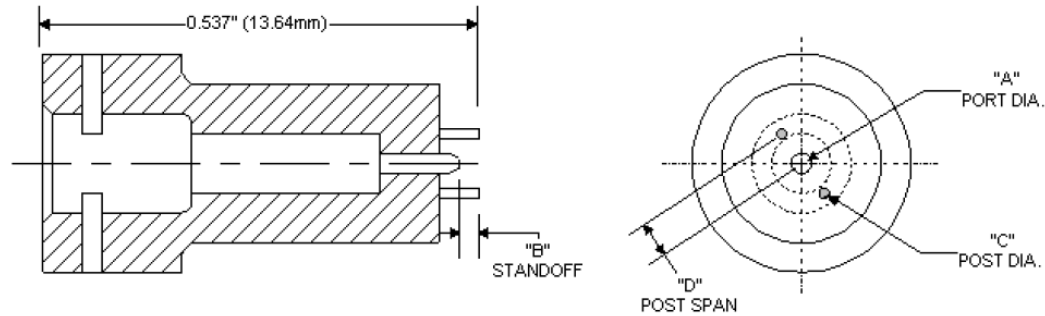
"A" PORT DIA.	"B" STANDOFF	"C" POST DIA.	"D" POST SPAN	QTY OF POSTS	PART NUMBER
0.023" (0.59mm)	0.015" (0.38mm)	0.030" (0.76mm)	0.053" (1.35mm)	2	47253913
0.027" (0.69mm)	0.015" (0.38mm)	0.030" (0.76mm)	0.053" (1.35mm)	2	47253917
0.030" (0.76mm)	0.017" (0.43mm)	0.030" (0.76mm)	0.053" (1.35mm)	2	47253918

GDM NOZZLES

Dual and Single dot Available. Cross Referenced to UIC numbers to find a match quickly. Replace the style below with this



"A" PORT DIA.	"B" STANDOFF	"C" POST DIA.	"D" POST SPAN	QTY OF POSTS	PART NUMBER
0.016" (0.41mm)	0.008" (0.20mm)	0.020" (0.51mm)	0.060" (1.52mm)	2	47253901
0.008" (0.20mm)	0.005" (0.13mm)	0.020" (0.51mm)	0.045" (1.14mm)	2	47253902
0.016" (0.41mm)	0.010" (0.25mm)	0.020" (0.51mm)	0.060" (1.52mm)	2	47253903
0.023" (0.59mm)	0.012" (0.31mm)	0.020" (0.51mm)	0.060" (1.52mm)	2	47253904
0.012" (0.31mm)	0.008" (0.20mm)	0.020" (0.51mm)	0.0337" (0.86mm)	2	47253907
0.016" (0.41mm)	0.010" (0.25mm)	0.020" (0.51mm)	0.045" (1.14mm)	1	47253912
0.012" (0.31mm)	0.008" (0.20mm)	0.020" (0.51mm)	0.0337" (0.86mm)	1	47253915
0.010" (0.25mm)	0.006" (0.15mm)	0.020" (0.51mm)	0.060" (1.52mm)	2	47253919
0.007" (0.18mm)	0.005" (0.13mm)	0.020" (0.51mm)	0.040" (1.02mm)	1	47253922
0.027" (0.69mm)	0.030" (0.76mm)	0.020" (0.51mm)	0.070" (1.78mm)	2	47253923
0.008" (0.20mm)	0.005" (0.13mm)	0.020" (0.51mm)	0.045" (1.14mm)	1	47253924



"A" PORT DIA.	"B" STANDOFF	"C" POST DIA.	"D" POST SPAN	QTY OF POSTS	PART NUMBER
0.016" (0.41mm)	0.008" (0.20mm)	0.020" (0.51mm)	0.060" (1.52mm)	2	47253901
0.008" (0.20mm)	0.005" (0.13mm)	0.020" (0.51mm)	0.045" (1.14mm)	2	47253902
0.016" (0.41mm)	0.010" (0.25mm)	0.020" (0.51mm)	0.060" (1.52mm)	2	47253903
0.023" (0.59mm)	0.012" (0.31mm)	0.020" (0.51mm)	0.060" (1.52mm)	2	47253904
0.012" (0.31mm)	0.008" (0.20mm)	0.020" (0.51mm)	0.0337" (0.86mm)	2	47253907
0.016" (0.41mm)	0.010" (0.25mm)	0.020" (0.51mm)	0.045" (1.14mm)	1	47253912
0.012" (0.31mm)	0.008" (0.20mm)	0.020" (0.51mm)	0.0337" (0.86mm)	1	47253915
0.010" (0.25mm)	0.006" (0.15mm)	0.020" (0.51mm)	0.060" (1.52mm)	2	47253919
0.007" (0.18mm)	0.005" (0.13mm)	0.020" (0.51mm)	0.040" (1.02mm)	1	47253922
0.027" (0.69mm)	0.030" (0.76mm)	0.020" (0.51mm)	0.070" (1.78mm)	2	47253923
0.008" (0.20mm)	0.005" (0.13mm)	0.020" (0.51mm)	0.045" (1.14mm)	1	47253924