



**Orange County Instruments**  
8 Corporate Park, Suite 300,  
Irvine, CA 92606  
Tel 949-242-4517  
Fax 949-442-8387  
Contact: eito@ocinstrument.com

## AMD3 (Auger Metering Dispenser)

### Overview

Designed for Electronic and Semiconductor dispensing. The AMD3 (Auger Metering Dispenser) is ideal for accurate and repeatable dispensing of medium and highly viscosity fluids. It is fully integratable into existing dispensers. The cost of ownership is significantly better than many OEM valves.

### Description

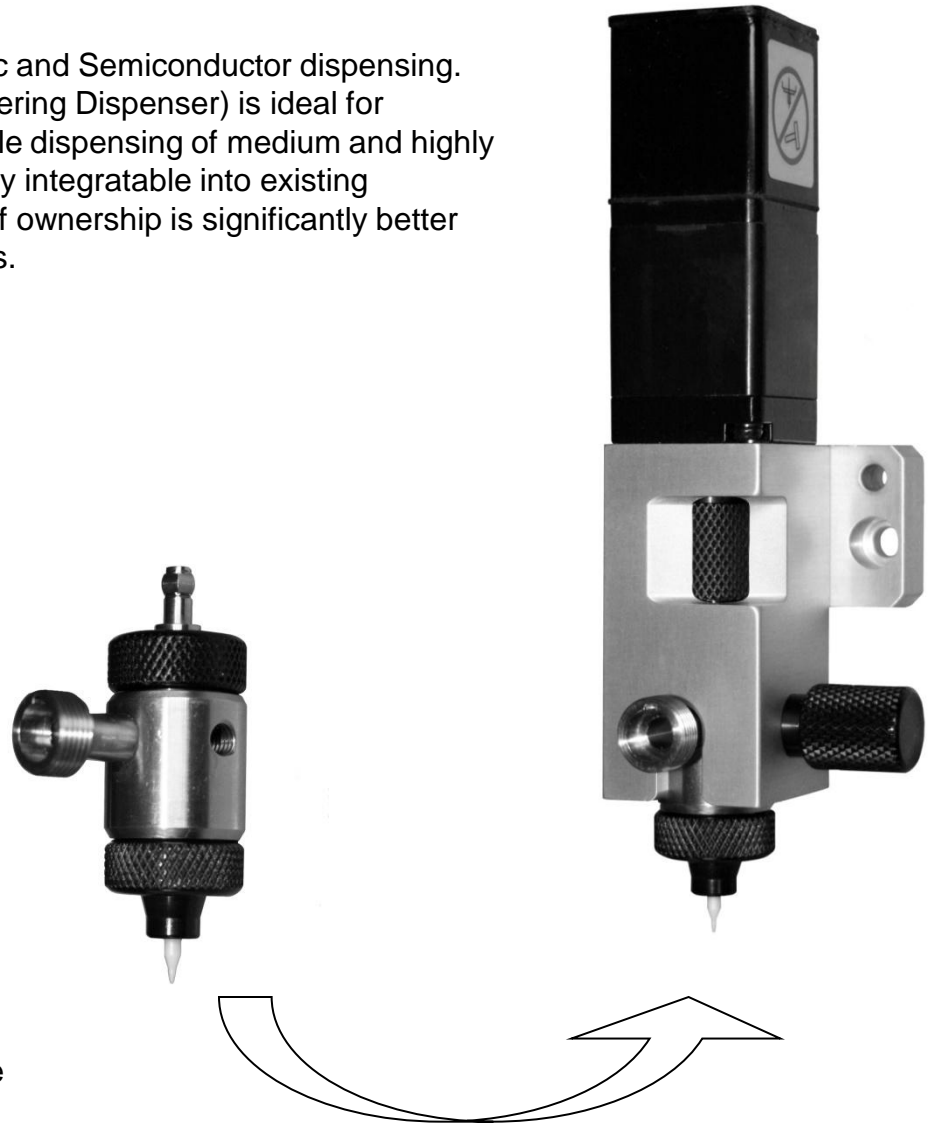
Auger Valves are excellent for underfills, solder pastes, dam and fill fluids, Surface Mount adhesives, thermal greases, getter fluids and other viscous materials. This valve dramatically increases volumetric dispense accuracy, and control of dot and lines. An electric motor coupled to a removable cartridge with a rotating auger allows total control over the speed and rotation of the auger. Rotating in a cylindrical sleeve, with an fluid inlet at the top, viscous fluids enter. The auger threads push the fluid down to the bottom outlet and through a needle.

### Configurable Motor

3 motor configurations are offered, 1) Maxon with gear reduction 2. Yaskawa with gear reduction, and Yasakawa with direct drive. Also, adaptor plates allow for integration into Camalot and Asymtek dispensers.

### Removable cartridge Assembly

The auger and fluid path can be removed by hand (toolless) for cleaning and configuration changes. Multiple auger pitches are available. Ceramic and stainless steel are available





8 Corporate Park, Suite 300, Irvine, CA 92606  
 Tel 949-242-4517 Fax 949-442-8387  
 Contact: eito@ocinstrument.com

## Cartridge Assembly

### Overview

Designed as a matched set, the cartridge and auger can be removed and disassembled by hand, with no tools. Several auger thread pitch and clearances are available. The bearing seals are replaceable and can be cleaned quickly with a minimum of mess, disassembly time and no preloading, tools, or special skills. Easy, quick, this assembly is designed for production.

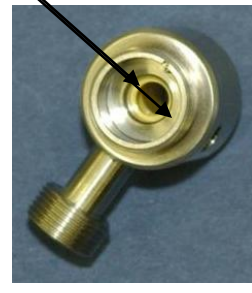
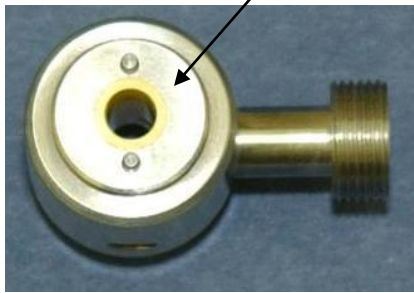
### Ceramic

Show below, ceramic auger and cartridge are available. This reduces wear to practically zero. It is an idea configuration for highly abrasive materials, but also dramatically cuts replacement costs in all operations.

Ceramic Auger



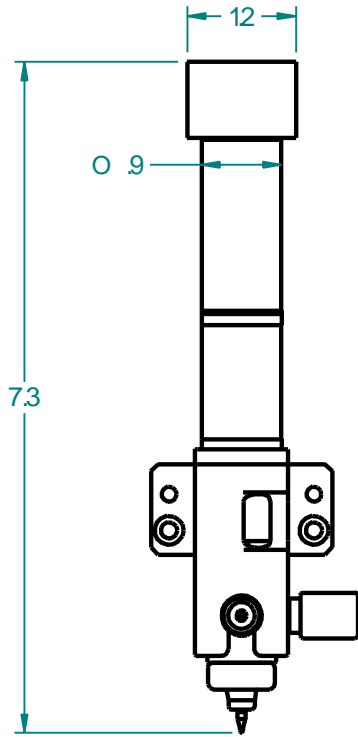
Ceramic insert



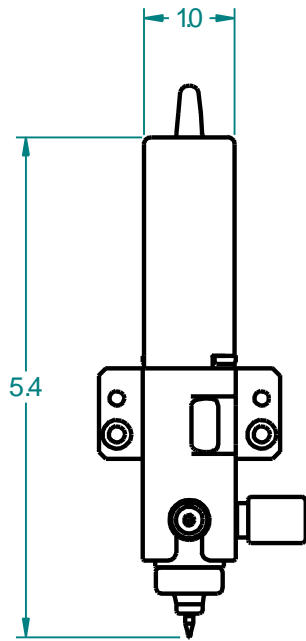
Augers Available

Pitch	Lead	Depth	Ceramic	Stainless
16	1	0.01	Yes	Yes
16	1	0.02	Yes	Yes
16	1	0.03	Yes	Yes
8	2	0.01	Yes	Yes
8	2	0.02	Yes	Yes
8	2	0.03	Yes	Yes

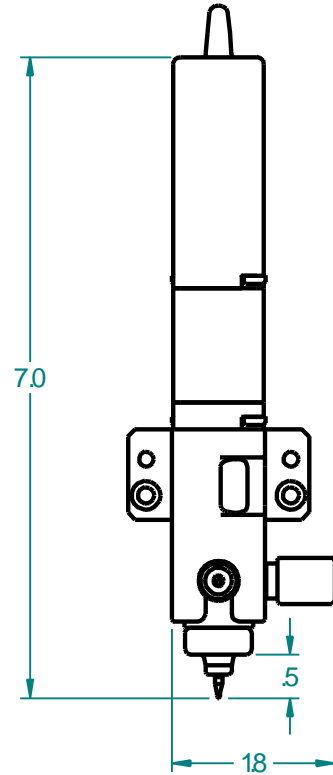
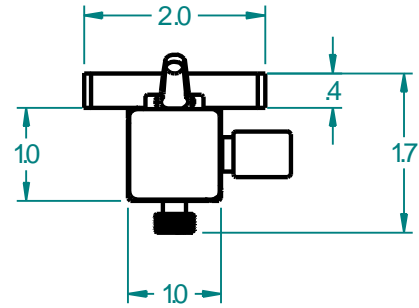
Unit = inch



Maxon Gear Drive



Yaskawa Direct Drive



Yaskawa Gear Drive

